



HC Series

HOUSINGS
SINGLE CARTRIDGE
LOW PRESSURE

MAIN APPLICATIONS:

- DESALINATION
- WATER TREATMENT
- FINE CHEMICAL
- PETROCHEMICAL
- OIL & GAS
- FOOD & BEVERAGE
- POWER GENERATION
- PAINTS AND RESIN
- PHARMACEUTICAL
- MICROELECTRONIC
- GALVANIC
- HYDRAULIC
- STEEL MILL
- GENERAL INDUSTRY

CHARACTERISTICS:

- 100% AISI 316 construction
- Head and V-Clamp manufactured with lost wax micro-casting
- Conform to 2014/68/UE PED Directive
- Conform to 2014/34/UE ATEX Directive
- 1935/2004/CE certification available upon request
- Two head/bowl closure system available:
 - HCR: V-Clamp
 - HCD: DIN 11851 locknut
- HCR type suitable for liquid Gr. 1 and 2 filtration
- HCD type suitable for liquid or gas Gr. 1 and 2 filtration
- In line in/out connections for easy installation
- Suitable for operating pressure up to 12 bar (HCR) and 15 bar (HCD)
- Suitable for cartridges from 10" to 40"
- Suitable for cartridges DOE, M6, M7
- Suitable for cartridges MHE (Dia.75/40 mm) and WLEP series 2 (Dia.70/40 mm)
- Installation of DOE cartridge independent from bowl
- O-ring head/bowl seal
- Designed to allow visual checking of the installed cartridge prior to bowl closure

ASCO FILTRI

a mott company

HC Series

HOUSINGS
SINGLE CARTRIDGE
LOW PRESSURE

TECHNICAL DATA

MAX. WORKING CONDITION

12 bar @ 100 °C (HCR series)
 15 bar @ 100 °C (HCD series)
 (according to the handled fluid)

CONSTRUCTION MATERIALS

- HEAD:**
 - 316 SS micro casting
- BOWL:**
 - 316L SS
- V-CLAMP (HCR series):**
 - 316 SS micro casting
- LOCKNUT (HCD series):**
 - 304 SS

BOWL FINISHING

- Internal:**
 - Pickling
- External:**
 - Manual polishing

GASKETS

- EPDM
- Buna-n
- Silicone
- Viton
- PTFE (only HCD)
- FEP

IN/OUT

- 1.1/2" GAS-F

DRAIN

- 3/8" GAS-F (HCR series)
- 1/4" GAS-F (HCD series)

ACCESSORIES

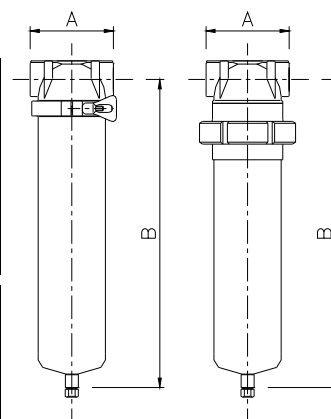
- Flanged connections

Dimensions:

HCR						
Length	Dimensions [mm]		Nozzles		Volume	Weight
	A [1]	B	In/out	Drain	[lt]	[kg]
10	153	425	1.1/2" GAS-F	3/8" GAS-F	4.50	5.0
20	153	680			6.20	6.5
30	153	935			8.30	8.5
40	153	1185			10.7	10.0

HCD						
Length	Dimensions [mm]		Nozzles		Volume	Weight
	A [1]	B	In/out	Drain	[lt]	[kg]
10	153	404	1.1/2" GAS-F	1/4" GAS-F	4.30	7.0
20	153	659			6.00	8.5
30	153	914			8.10	10.5
40	153	1169			10.5	11.5

1] For flanged version ask to Asco Filtri.



Max. working pressure:

Fluid	HCR				HCD			
	10"	20"	30"	40"	10"	20"	30"	40"
Liquid Gr. 2	12 bar	12 bar	12 bar	12 bar	15 bar	15 bar	15 bar	15 bar
Liquid Gr. 1	12 bar	12 bar	12 bar	12 bar	15 bar	15 bar	15 bar	15 bar
Gas Gr. 2	Not suitable				15 bar	15 bar	15 bar	15 bar
Gas Gr. 1					11 bar	8 bar	6 bar	4.5 bar

Where the 2014/68/UE PED Directive is applicable, in case dangerous of gas Gr. 1, the max. working pressure must be reduced.
 For different working pressure check with the operating manual.

Gaskets temperature limitation:

EPDM	120 °C	Viton	230 °C	PTFE	250 °C
Buna-n	120 °C	Silicone	230 °C	FEP	250 °C

Working temperature is limited from installed gaskets.
 For different working temperature check with the operating manual.

Contact us for any further information.

We reserve the right to change the data of this specification without notice.

ASCO Filtri S.p.A.

Viale delle Scienze, 8
 20082 Binasco (MI) - Italy

Phone: +39 02 89703.1

Fax: +39 02 89703.410

E-mail: info@ascofiltri.com

Web: www.ascofiltri.com

ASCO
FILTRI
 a mott company